
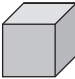




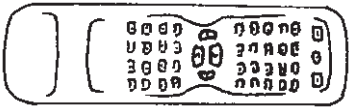

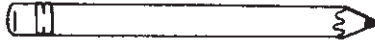

Name _____

Choose the best answer.

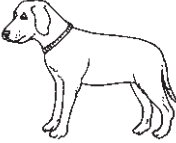



1. Which is about a centimeter long?

- (A) 
- (B) 
- (C) 
- (D) 

2. Which is about a meter long?

- (A) 
- (B) 
- (C) 
- (D) 

3. Which animal is about a meter long?

- (A) 
- (B) 
- (C) 
- (D) 

4. **Writing in Math** Write about 2 different objects you might find in a classroom. One object is about 1 centimeter long and the other object is about 1 meter long.
